



Shelter Advertising Rate Card

3M window Perf 3M Vinyl and installation \$8.00 sq.ft
Monthly Fee per side \$100.00
Install & removal \$50 per shelter, if vinyl provided.

- ❖ The minimum contract period for advertising is THREE months.
- ❖ Billing will be sent out on a monthly basis by Citibus.
- ❖ Citibus will not accept advertising for alcohol or tobacco products, political candidates, or religious slogans.
- ❖ Ads must be approved at the discretion of the Citibus. Please email .pdf file of artwork before production.
- ❖ Contact: Ashley Tyler 712-2011 or atyler@citibus.com

*** Monthly Ad Rate: \$100 per month per panel**

* Print & Install Rates are subject to change

\$172.00



Left Side

\$148.00



Front of Shelter

\$103.00

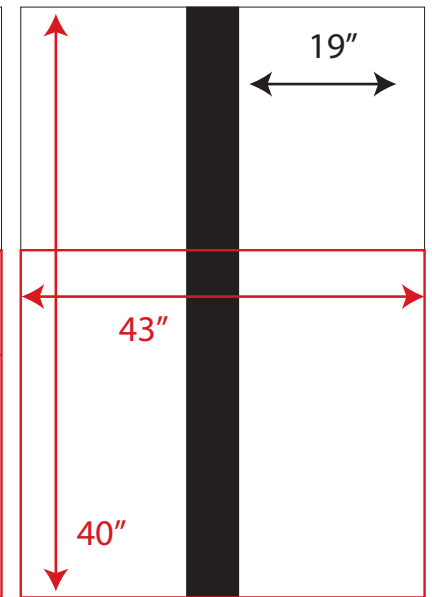
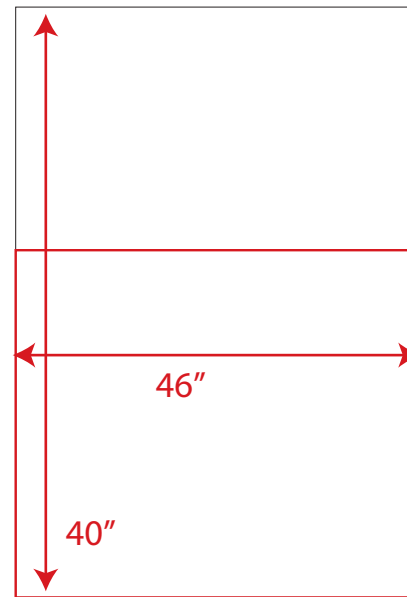
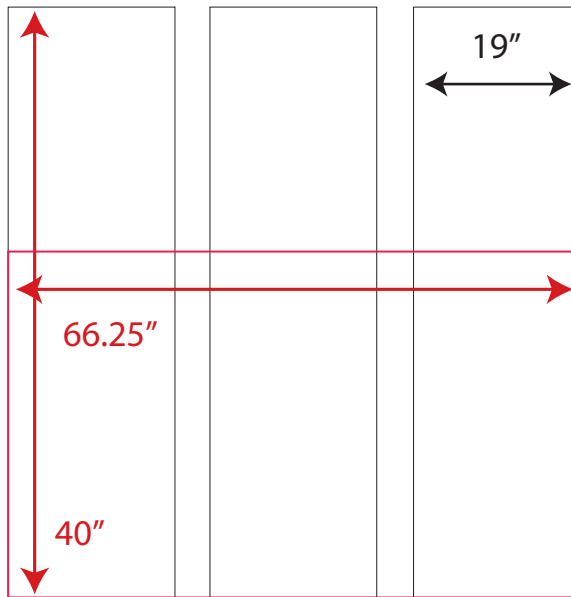
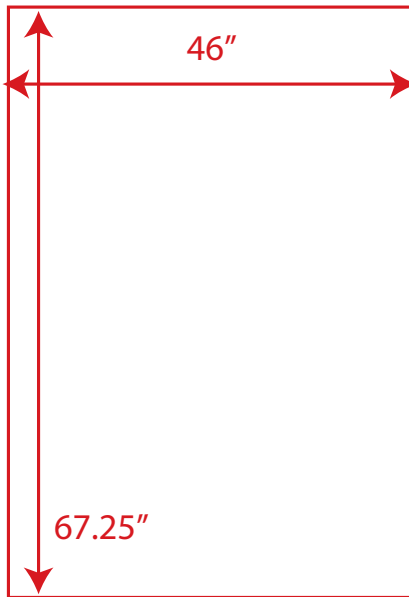


Right Side

\$96.00



Right Side



***NOTE For Safety in our shelters, vinyl can only cover the bottom portion Except on Left Hand Side.**

citibUS Shelter Advertising Rate Card

*** Monthly Ad Rate: \$100 per month per panel**

*** Print & Install Rates are subject to change**

\$110.00



Left Side

\$230.00



Front of Shelter

\$110.00

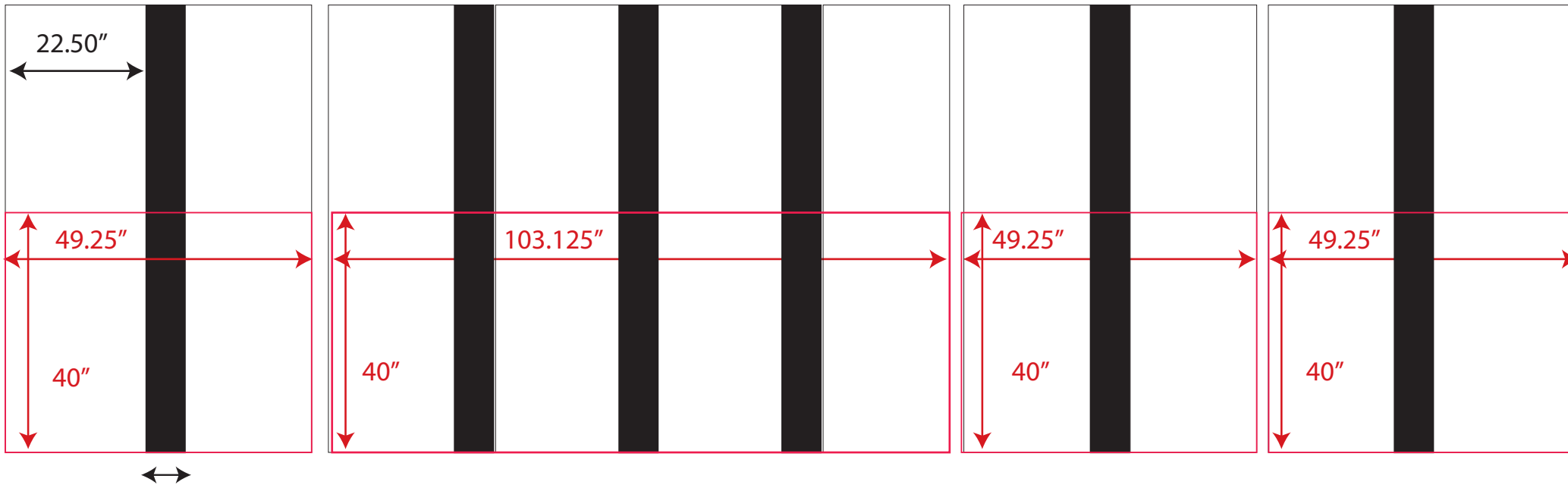


Front Side

\$110.00



Right Side



***NOTE For Safety in our shelters, vinyl can only cover the bottom portion**